

**NARVA®**

**FLASHER APPLICATION  
GUIDE**

**GUIDE**



Designed with the Re-seller and Auto Electrician in mind, this Flasher application guide contains the following helpful information –

- Comprehensive vehicle application guide
- Industry cross reference
- Quick reference guide of all Narva flashers and wiring guides

Flashers have come a long way since the early 2 or 3 pin tin can and Narva has a complete range manufactured to meet or exceed international standards. Starting with the low cost thermal units used for older vehicles and auxiliary applications, through to the latest electronic flashers with 'no load' circuitry for use with L.E.D lamps.

There are three basic flasher types: Thermal, Electro-Mechanical and Solid State Electronic. The introduction of both Electro-Mechanical flashers and Electronic Flashers has produced a higher level of reliability, a clearer audible sound and a more consistent flash rate under load and temperature variations. Electronic Flashers were

introduced in accordance with the function of "outage" or globe failure as required by the Australian Design Rule, ADR 13. Early electronic units are load sensitive, although new units are now available with minimal to no load requirement for use with L.E.D lamps. The range incorporates features such as pilot lamp indication, hazard warning and heavy duty 5, 6 and 7 pin units for B-Double and Road Train applications.

The most popular types can be purchased in bulk trays and all types are available in retail blister packaging.

Narva Flashers are marked with the international pin identification system as shown in the following chart.



### Flasher Connections

- L: Lamps or Indicator switch
- P: Pilot
- X: Battery (+) or Ignition
- B: Battery (+) or Ignition
- E: Earth (-)
- 49: Battery (+) or Ignition
- 49a: Lamps or Indicator switch
- 31: Earth (-)
- 30b: Hazard switch (+)
- + : Battery (+) or Ignition
- : Earth (-)
- C: Vehicle pilot
- C2: 1st trailer pilot
- C3: 2nd trailer pilot



Vehicle Type	Year	NARVA Flasher No.
<b>ALFA ROMEO</b>		
33	1984-1992	68233BL
75	1986-1992	68233BL
90	1985-1988	68233BL
164	1989-1992	68233BL
1750 Spider Duetto GTV	1968-1972	68213BL
Alfasud 1.2, 1.5 litre	1974-1985	68213BL
Alfetta	1974-1978	68236BL
Alfetta GTV6	1983-1988	68236BL
Sprint	1982-1988	68236BL

<b>AUDI</b>		
80	1967-1995	68236BL
90 – 2.3 litre	1989-1992	68236BL
100	1970-1994	68236BL
200	1982-1991	68236BL
A4	1995-1999	68236BL
A6	1994-2004	68236BL
A8	1995-2000	68236BL
S4 – 2.2 litre	1993-1995	68236BL

<b>AUSTIN</b>		
1800	1965-1970	68203BL
Kimberley	1970-1973	68203BL
Tasman	1970-1973	68203BL

<b>BEDFORD/SUZU</b>		
EFN, TK, J and CFN Series, 300	1959-1977	68233BL
Isuzu Trucks (12V)	1977-1979	68232BL

<b>BMW</b>		
316i to 325		68236BL
520i	1983-1985	68236BL
525	1973-1975	68233BL
528i	1977-1985	68236BL
633 Csi	1977-1989	68236BL
733i, 735i	1977-1990	68236BL
740i, 750i	1988-2002	68236BL
840Ci	1993-1996	68236BL
M3, M5	1990-2000	68236BL
Z3	1997-2003	68236BL

<b>CHEVROLET</b>		
C20 to C60	1975-1981	68212BL
K20	1978-1979	68212BL
LUV KB20	1972-1977	68212BL

Vehicle Type	Year	NARVA Flasher No.
<b>CHRYSLER</b>		
Centura – 4 & 6 cyl.	1975-1978	68212BL
Galant 1300-1600	1971-1977	68212BL
CH, CJ, CK, CL	1971-1978	68212BL
Lancer LA to LC	1974-1980	68212BL
Valiant RV1, SV1	1962-1963	68212BL
Valiant AP5, AP6	1963-1965	68212BL
Valiant VC to VK	1966-1976	68212BL
Valiant CH to CM	1971-1981	68212BL

<b>CITROEN</b>		
AX	1991-1993	68236BL
BX16,19	1986-1994	68236BL
CX25, 2200, 2400, 2500	1976-1985	68213BL
GS1000, 1220	1972-1979	68213BL
Xantia	1994-2001	68236BL
XM	1991-1994	68236BL

<b>DAEWOO</b>		
1.5	1994-1995	68236BL
Cielo	1995-1998	68236BL
Espero	1995-1997	68236BL
Lanos	1997-2002	68236BL

<b>DAIHATSU</b>		
Applause A101	1989-1997	68238BL
Charade	1983-2004	68238BL
Delta	1974-2004	68238BL
F series 4WD	1975-1982	68212BL
F60,F65, 4WD Diesel	1983-1984	68238BL
Feroza F300,F310	1988-1993	68238BL
Handi Van L55, L60, L80	1981-1990	68238BL
Hi Jet S70 to 85	1982-1990	68238BL
Mira L200, L201	1992-1995	68238BL
Rocky	1984-1993	68238BL
SV60, 65	1979-1982	68212BL
Terios	1997-2004	68238BL
YRV	2001-2004	68238BL

<b>DAIMLER</b>		
Sovereign 4.2, Vanden Plas	1967-1982	68236BL
Double Six 5.3, V12	1973-1982	68236BL
Double Six 4D Sedan, V12	1986-1987	68236BL

Vehicle Type	Year	NARVA Flasher No.
<b>FIAT</b>		
124, 125, 127, 128	1967-1978	68213BL
130, 131, 132	1972-1982	68213BL
500, 600, 850	1958-1971	68213BL
Regata 85, 100	1985-1989	68233BL
SuperBrava MKI & II	1981-1985	68236BL
X1/9	1974-1989	68213BL

<b>FORD</b>		
Bronco	1981-1987	68236BL
Capri	1969-1974	68212BL
Capri SA to SE	1989-1994	68244BL
Corsair UA GL, Ghia	1989-1992	68236BL
Cortina MkI, MkII	1963-1971	68213BL
Cortina TC to TF	1971-1981	68212BL
Courier	1979-1996	68244BL
Econovan	1979-1997	68244BL
Escort MkI, MkII	1969-1976	68212BL
Escort MkII	1976-1982	68236BL
F100 – 4.1 litre	1970-1981	68212BL
F100, 150, 250, 350	1974-1993	68236BL
F350 – 4.1 litre	1970-1981	68212BL
Fairlane ZA to ZH	1966-1979	68212BL
Fairlane ZJ to AUII	1979-2001	68236BL
Falcon XK to XC	1960-1979	68212BL
Falcon XD to AUIII	1979-2002	68236BL
Festiva WA	1991-1994	68244BL
Festiva WB to WF	1994-2000	68261BL
Laser KA to KH	1981-1994	68244BL
Laser KJ	1994-1998	68261BL
Laser KN, KQ	1998-2001	68244BL
LTD – 8 cyl.	1970-1979	68212BL
LTD FC to DL	1979-2003	68236BL
Meteor GA to GC	1981-1987	68244BL
Mondeo HB to HE	1995-2000	68236BL
Probe ST	1994-1995	68238BL
Probe SU	1996-1997	68236BL
Raider	1991-1997	68244BL
Spectron	1983-1990	68244BL
Telstar AR to AV	1983-1992	68244BL
Telstar AX to AY	1992-1996	68261BL
Trader	1980-1998	68244BL
Transit	1973-1981	68212BL

Vehicle Type	Year	NARVA Flasher No.
<b>HOLDEN</b>		
Adventra	2003-2004	68236BL
Apollo JK to JP	1989-1996	68242BL
Astra LB to LD	1984-1989	68236BL
Astra TR, TS	1996-2004	68236BL
Barina MB	1985-1986	68236BL
Barina ML, MF, MH	1986-1991	68238BL
Barina SB – 1.2, 1.4 litre	1994-2001	68236BL
Barina SB – 1.6 litre	1994-1997	68254BL
Barina SB – 1.6 litre	1998-2001	68236BL
Barina XC	2001-2004	68236BL
Calibra YE	1991-1998	68236BL
Camira JB to JE	1982-1989	68236BL
Combo	1996-2003	68236BL
Commodore VB to VH	1978-1984	68212BL
Commodore VK to VZ	1984-2005	68236BL
Crewman, cross 8	2003-2004	68236BL
Drover	1985-1987	68236BL
FC to EH	1957-1965	68203BL
Gemini TX	1975-1977	68212BL
Gemini TC, TD	1977-1979	68213BL
Gemini TE	1979-1982	68212BL
Gemini TF to RB	1982-1987	68236BL
HD to HZ	1965-1980	68212BL
Jackaroo	1981-1988	68233BL
Jackaroo	1988-2004	68238BL
Monaro	2001-2005	68236BL
Nova LE to LG	1989-1996	68242BL
Rodeo KB	1979-1983	68213BL
Rodeo KBD27, 42	1983	68238BL
Rodeo KB, TF	1984-2002	68238BL
Shuttle	1982-1991	68238BL
Statesman WB 8 cyl	1980-1983	68212BL
Statesman WB to WK	1983-2004	68236BL
Torana HB	1967-1969	68202BL
Torana LC to LJ	1969-1974	68202BL
Torana TA	1974-1975	68212BL
Torana LH to LX	1974-1978	68212BL
Torana UC	1978-1979	68212BL
Vectra JR, JSII	1997-2002	68236BL
WB Ute – 6 & 8 cyl.	1983-1985	68236BL

Vehicle Type	Year	NARVA Flasher No.
<b>HONDA</b>		
Accord 1.5, 1.6 litre, EX 1.6 litre	1974-1983	68212BL
Accord 1.6, 1.8, 2.0 litre, EX, Exi, LX, Si	1984-2003	68238BL
City	1984-1988	68238BL
Civic 1200, 1300, 1500	1973-1983	68212BL
Civic Grand Prix, DX, GL	1984-2004	68238BL
Concerto	1988-1992	68238BL
CR-V	1997-2004	68238BL
CRX	1986-1992	68238BL
HRV	1999-2004	68238BL
Integra – 1.6, 1.8 litre	1986-2001	68238BL
Legend – 2.5, 2.6, 3.2 litre	1986-2004	68238BL
NSX	1991-2002	68238BL
Odyssey	1995-2004	68238BL
Prelude	1979-2004	68238BL
S2000	1999-2004	68238BL
<b>HYUNDAI</b>		
Accent	2000-2004	68238BL
Elantra	2000-2004	68238BL
Excel	1987-2000	68238BL
FX Coupe	1996-2002	68238BL
Getz	2002-2004	68238BL
Lantra	1991-2000	68238BL
S Coupe	1990-1996	68238BL
Sonata	1989-2001	68238BL
Terracan	2001-2004	68238BL
Tiburon	2002-2004	68238BL
Trajet	2002-2004	68238BL
<b>JAGUAR</b>		
Sovereign	1980-1989	68236BL
XJ6 2.8 litre	1968-1974	68212BL
XJ6 4.2 litre	1969-1987	68236BL
XJ12	1972-1979	68236BL
XJS	1976-1982	68236BL
V12	1989-1993	68236BL

Vehicle Type	Year	NARVA Flasher No.
<b>JEEP</b>		
Cherokee	1979-1985	68212BL
CJ5 to CJ8	1973-1985	68212BL
Renegade	1981-1985	68212BL
Wrangler	1996-2000	68212BL
<b>KIA</b>		
Ceres	1992-2000	68244BL
Mentor	1996-2000	68261BL
Rio	2000-2004	68244BL
Shuma	1999-2004	68244BL
Spectra 5D Hatch	2001-2004	68244BL
<b>LADA</b>		
Cevaro	1990-1993	68233BL
Niva	1983-1999	68233BL
Samara	1988-1991	68236BL
<b>LEYLAND</b>		
Marina	1972-1981	68212BL
Mini	1972-1983	68213BL
Moke	1966-1983	68213BL
P76	1972-1974	68212BL
<b>LEXUS</b>		
ES300	1992-2001	68236BL
GS300	1997-2004	68236BL
LS400	1990-2000	68236BL
LS430	2000-2004	68236BL
LX470	1998-2002	68236BL
<b>MAZDA</b>		
121 RWD	1976-1990	68244BL
121 FWD	1991-2000	68261BL
323	1977-1994	68244BL
323 Eunos V6	1994-1998	68261BL
323 Protégé 1.6L	1994-1998	68261BL
323	1998-2003	68244BL
808	1972-1978	68213BL
626 – 2.0, 2.2 litre	1978-1991	68244BL
626 GE	1991-1997	68261BL
626 GW10	1998-2002	68244BL
929 – 2.0 litre	1984-1991	68244BL
929 – 3.0L V6	1991-1997	68261BL
1000 Coupe, Sedan	1966-1977	68213BL
1200, 1300, 1500, 1600, 1800	1968-1977	68213BL

Vehicle Type	Year	NARVA Flasher No.
<b>MAZDA (cont.)</b>		
E series	1978-1997	68244BL
MX5	1989-1997	68261BL
MX6 2.2L	1987-1991	68244BL
MX6 2.5L V6	1991-1997	68261BL
R100, RX2, RX3	1969-1975	68213BL
RX4, RX5, RX7	1972-1989	68244BL
T series	1980-2000	68244BL
Traveller	1983-1988	68244BL
<b>MERCEDES-BENZ</b>		
200	1966-1968	68236BL
220	1956-1973	68236BL
250	1966-1978	68236BL
300	1960-1969	68236BL
300SEL	1969-1976	68236BL
<b>MG</b>		
MGB	1963-1968	68203BL
MGB, MGC, Midget	1968-1976	68212BL
<b>MITSUBISHI</b>		
3000GT (JF) 4WD	1992-1998	68238BL
Canter FC series	1981-1992	68238BL
Colt	1964-1971	68213BL
Colt RA, RB	1981-1984	68212BL
Colt RC to RE	1984-1988	68238BL
Cordia AA to AB	1983-1985	68212BL
Cordia AB to AC	1984-1989	68238BL
Express SF to WA	1986-2004	68238BL
Galant	1989-1992	68238BL
L200 Express MA to MD	1980-1986	68213BL
L300 Express SA	1980-1981	68213BL
L300 Express SB to SC	1982-1984	68212BL
L300 Express SD to SE	1984-1986	68238BL
Lancer LA to LC	1974-1980	68212BL
Lancer CA to CH	1988-2004	68238BL
Magna TM	1985-1987	68236BL
Magna TN to TL	1987-2003	68238BL
Nimbus UA	1984-1988	68232BL
Pajero NA to NB	1983-1985	68212BL
Pajero NC to NL	1985-2000	68238BL
Sigma GE to GN	1977-1987	68232BL
Starion JA to JD	1982-1987	68212BL

Vehicle Type	Year	NARVA Flasher No.
<b>MITSUBISHI (cont.)</b>		
Starwagon SF to WA	1986-2004	68238BL
Triton ME to MJ	1986-2004	68238BL
Verada KR to KJ	1991-2003	68238BL
<b>NISSAN</b>		
1000, 1200, 1600, 2000, 2300, 2400	1960-1973	68212BL
120Y, 180B, 200B	1972-1981	68212BL
200SX	1994-1999	68238BL
280C, 280ZX	1982-1987	68232BL
300C, 300ZX	1984-1989	68238BL
Bluebird	1960-1968	68212BL
Bluebird series I	1975-1983	68212BL
Bluebird series II & III	1983-1988	68236BL
Bluebird	1993-1997	68238BL
Exa	1983-1991	68236BL
Gazelle	1986-1988	68238BL
Maxima	1990-1999	68238BL
Navara	1986-1999	68238BL
Nomad	1986-1992	68232BL
Pathfinder	1987-2004	68238BL
Patrol	1965-1988	68232BL
Patrol	1988-2004	68238BL
Prairie	1983-1985	68238BL
Pulsar N14	1981-1995	68236BL
Pulsar N15, 16	1995-2004	68238BL
Skyline	1979-1986	68238BL
Stanza	1978-1981	68212BL
Sunny	1978-1981	68212BL
Urvan	1977-1986	68232BL
Vanette	1977-1984	68232BL
Vector	1987-1989	68236BL
X Trail	2001-2004	68238BL
<b>PEUGEOT</b>		
205	1987-1994	68233BL
306	1994-1997	68236BL
405	1989-1996	68236BL
504	1968-1983	68236BL
505	1979-1983	68233BL
604	1978-1982	68233BL
605	1994-1996	68236BL

Vehicle Type	Year	NARVA Flasher No.
<b>PORSCHE</b>		
911, 912	1965-1969	68203BL
911	1970-2005	68236BL
924	1976-1988	68236BL
928	1977-1995	68236BL
944	1982-1991	68236BL
968	1992-1995	68236BL
986 (Boxster)	1997-2004	68236BL
<b>PROTON</b>		
Jumbuck	2003-2004	68236BL
M21	1997-2000	68236BL
Persona	1996-2002	68236BL
Satria	1997-2004	68236BL
Waja	2001-2004	68236BL
Wira	1995-1996	68236BL
<b>RENAULT</b>		
1.4	1976-1977	68236BL
Fuego	1982-1987	68236BL
R12, 15	1970-1976	68213BL
R16	1968-1971	68213BL
R16	1971-1977	68236BL
R17	1970-1979	68213BL
R18, 20	1978-1983	68236BL
R21	1988-1991	68233BL
R25	1985-1989	68213BL
Virage	1978-1982	68236BL
<b>ROVER</b>		
2000, 3500	1963-1970	68213BL
3500	1970-1972	68212BL
3500 SDI	1983-1987	68232BL
416i	1986-1989	68238BL
Land Rover 4 cyl.	1964-1970	68213BL
Land Rover 4 cyl.	1971-1983	68212BL
Quintet	1983-1986	68238BL
Range Rover 3.5L	1970-1985	68212BL
Range Rover	1986-2002	68254BL
<b>SAAB</b>		
99	1972-1982	68233BL
900	1978-1998	68236BL
9000	1992-1997	68236BL

Vehicle Type	Year	NARVA Flasher No.
<b>SEAT</b>		
Cordoba	1995-1998	68236BL
Ibiza	1995-1998	68236BL
Toledo	1995-1997	68236BL

<b>SUBARU</b>		
1400, 1600	1973-1985	68212BL
DL, Brumby	1974-1985	68212BL
DL	1985-1995	68238BL
Forester	1997-2004	68238BL
Impreza	1993-2004	68238BL
Leone	1983-1988	68238BL
Leone DL, GL, GLF	1979-1984	68212BL
Liberty	1989-2003	68238BL
Outback	1996-2003	68238BL
RX Turbo	1985-1987	68238BL
SVX	1992-1997	68238BL
Vortex XT EFI	1985-1989	68238BL

<b>SUZUKI</b>		
Alto	1985-1989	68238BL
Baleno	1995-2001	68238BL
Cino	1994-2000	68238BL
Grand Vitara	1998-2004	68238BL
Hatch	1980-1985	68238BL
Mighty Boy	1985-1988	68238BL
Sierra	1981-2000	68238BL
ST80, 90	1976-1995	68238BL
Super Carry, Swift	1985-1995	68238BL
Vitara	1988-2000	68238BL
X90	1996-1998	68238BL

<b>TOYOTA</b>		
4 Runner	1989-1996	68236BL
4 Runner LN60 to YN63	1984-1989	68242BL
Avalon	2000-2005	68236BL
Avante 2.0, 2.4 litre	1983-1987	68242BL
Bundera	1985-1991	68242BL
Camry SV11 to 22	1983-1993	68242BL
Camry SXV10, 20	1995-2002	68236BL
Camry VDV10 – 3.0L V6	1993-1995	68242BL
Camry VZV20, 21 – 2.5L V6	1988-1993	68236BL
Camry	1995-2002	68236BL

Vehicle Type	Year	NARVA Flasher No.
<b>TOYOTA (cont.)</b>		
Celica	1970-1989	68242BL
Celica	1989-2001	68236BL
Corolla KE Series, Sprinter	1966-1978	68213BL
Corolla	1980-1981	68236BL
Corolla T18	1980-1984	68242BL
Corolla AE80, 82, 92	1985-1994	68242BL
Corolla AE93, 95	1988-1994	68236BL
Corolla AE101, 102, 112	1994-2001	68236BL
Corolla ZZE122	2001-2005	68236BL
Corona 1600, 1900	1964-1977	68213BL
Corona 2000 Hatchback	1975-1980	68213BL
Corona 2000 Hatchback	1980-1983	68236BL
Corona CS-X 2.0, 2.4 litre	1983-1985	68236BL
Corona CS-i, ST141	1985-1987	68242BL
Cressida	1980-1983	68242BL
Crown MS40 to 47	1963-1969	68213BL
Crown MS65 to 125	1971-1988	68242BL
Crown RS50 to 57	1967-1971	68213BL
Dyna	1969-2001	68242BL
Dyna RU series	1963-1968	68213BL
Dyna YY series	1991-1995	68236BL
Hi-Ace LH103R to 125R	1989-2000	68236BL
Hi-Ace RH10 to 20	1967-1984	68213BL
Hi-Ace RH22 to 42	1977-1983	68242BL
Hi-Ace LH30 to 71	1981-1989	68242BL
Hi-Ace RZH series	1989-2004	68236BL
Hi-Ace YH series	1982-1989	68242BL
Hi-Lux	1988-2005	68236BL
Hi-Lux Cab Chassis	1985-1986	68242BL
Hi-Lux RN10 to 25	1961-1983	68213BL
Hi-Lux RN30 to 65	1977-1985	68242BL
Hi-Lux LN40 to 65	1980-1988	68242BL
Hi-Lux YN55 to 67	1983-1988	68242BL
Hi-Lux LN85, 86	1988-1997	68236BL
Kluger	2003-2005	68236BL
Landcruiser	1963-1977	68213BL
Landcruiser BJ series	1977-1990	68242BL
Landcruiser HJ series	1980-1991	68242BL
Landcruiser FJ45 - 62	1982-1990	68242BL
Landcruiser FJ70 - 75	1985-1992	68236BL

Vehicle Type	Year	NARVA Flasher No.
<b>TOYOTA (cont.)</b>		
Landcruiser HZJ series	1988-2005	68236BL
Landcruiser PZJ series	1990-1991	68236BL
Landcruiser HDJ series	1990-2005	68236BL
Landcruiser FZJ series	1992-2005	68236BL
Lexcen	1988-1991	68236BL
Lite-Ace KM20, CM, YM series	1978-1985	68242BL
MR2	1985-1989	68242BL
Paseo	1991-1999	68236BL
Prado	1996-2003	68236BL
RAV4	1994-2000	68236BL
Sprinter AE86	1983-1985	68242BL
Starlet	1996-1999	68236BL
Supra MA61 to 71	1983-1993	68242BL
Tarago	1983-1988	68242BL
Tarago YR31 to TCR21	1988-2000	68236BL
Tercel	1983-1988	68242BL
Toyo-Ace	1974-1985	68242BL
Vienta	1988-2000	68236BL

<b>TRIUMPH</b>		
2000, 2500	1964-1978	68213BL
Dolomite	1975-1978	68213BL
Spitfire	1963-1980	68213BL
TR series	1954-1982	68213BL

<b>VOLKSWAGEN</b>		
1200, 1300 – 12v	1967-1970	68212BL
1300, 1600 Beetle – 12v	1970-1975	68236BL
1500, 1600 – 12v	1960-1971	68212BL
Beetle	2000-2005	68236BL
Caravelle, Kombi	1975-2003	68236BL
Golf	1974-1999	68236BL
Passat	1973-1997	68236BL

<b>VOLVO</b>		
164	1968-1974	68236BL
240 to 265	1974-1986	68236BL
360	1984-1987	68236BL
740, 760	1983-1991	68236BL
850	1992-1997	68236BL
940 to 960	1990-1997	68236BL
P120 to 123	1965-1968	68213BL
S40, S90, V40, V90	1997-2003	68236BL

### CROSS REFERENCE – TO NARVA

Use these cross reference tables to easily identify the Narva part number required to replace existing flasher brands.

Hella Part No.	NARVA Part No.	Bosch Part No.	NARVA Part No.	Tridon Part No.	NARVA Part No.
3007	68203BL	0 335 200 041	68254BL	EG22	68222BL
3008	68202BL	0 335 200 140	68256BL	EG23	68223BL
3014	68274BL	0 335 200 160	68260BL	EL13A	68278BL
3015	68276BL	0 335 215 144	68266BL	EP12	68232BL
3016	68236BL	0 335 215 156	68268BL	EP13	68233BL
3017	68256BL	P122	68212BL	EP32	68242BL
3018	68262BL	P122E	68232BL	EP34	68238BL
3026	68212BL	P123	68213BL	EPJ13	68244BL
3027	68213BL	P1230	68236BL	FET13	68236BL
3028	68223BL	P1232	68242BL	FET16	68254BL
3032	68268BL	P1233	68244BL	FET17	68256BL
3033	68260BL	P1234	68238BL	FET18	68260BL
3035	68254BL	P123E	68233BL	FET19	68268BL
3016LED1	68246BL	P1241	68261BL	FET20	68266BL
3016LED2	68247BL	P242	68222BL	FET21	68261BL
		P243	68223BL	HD12	68212BL
		SH10	68202BL	HD13	68213BL
		SH20	68203BL	TF122	68202BL
				TF123	68203BL



### CROSS REFERENCE – FROM NARVA

Use these cross reference tables to easily identify the Narva part number required to replace existing flasher brands.

NARVA Part No.	Tridon Part No.	Bosch Part No.	Hella Part No.	NARVA Part No.	Tridon Part No.	Bosch Part No.	Hella Part No.
68202BL	TF122	SH10	3008	68247BL	LED02	n/a	3016LED2
68203BL	TF123	SH20	3007	68248BL	LED03	n/a	n/a
68212BL	HD12	P122	3026	68249BL	LED04	n/a	n/a
68212/25	n/a	n/a	n/a	68250BL	n/a	n/a	n/a
68213BL	HD13	P123	3027	68251BL	LED03	n/a	n/a
68213/25	n/a	n/a	n/a	68252BL	n/a	n/a	n/a
68222BL	EG22	P242	n/a	68254BL	FET16	0 335 200 041	3035
68222/25	n/a	n/a	n/a	68256BL	FET17	0 335 200 140	3017
68223BL	EG23	P243	3028	68260BL	FET18	0 335 200 160	3033
68223/25	n/a	n/a	n/a	68261BL	FET21	P1241	n/a
68232BL	EP12	P122E	n/a	68262BL	n/a	n/a	3018
68233BL	EP13	P123E	n/a	68266BL	FET20	0 335 215 144	n/a
68236BL	FET13	P1230	3016	68268BL	FET19	0 335 215 156	3032
68236/25	n/a	n/a	n/a	68270BL	n/a	n/a	n/a
68238BL	EP34	P1234	n/a	68274BL	n/a	n/a	3014
68242BL	EP32	P1232	n/a	68276BL	n/a	n/a	3015
68244BL	EPJ13	P1233	n/a	68278BL	EL13A	n/a	n/a
68246BL	LED01	n/a	3016LED1				

The following pages contain a quick reference for all Narva flashers and wiring guides.

For more information see Narva 2004/5 catalogue.

### Flasher Connections

L: Lamps or Indicator switch	31: Earth (-)
P: Pilot	30b: Hazard switch (+)
X: Battery (+) or Ignition	+ : Battery (+) or Ignition
B: Battery (+) or Ignition	- : Earth (-)
E: Earth (-)	C: Vehicle pilot
49: Battery (+) or Ignition	C2: 1st trailer pilot
49a: Lamps or Indicator switch	C3: 2nd trailer pilot



Part No.	Volts	Max Load	Load Sensitive	Globe Outage	Figure
<b>2 PIN FLASHERS</b>					
68202BL	12V	6 x 32CP (24W) Thermal	X	X	1
68212BL	12V	10 x 21W	X	X	1
68222BL	24V	10 x 21W	X	X	1
68232BL	12V	6 x 21W + 5W	✓	✓	2
68249BL*	12V	30W (2.5A)	X	X	2
68252BL*	24V	30W (2.5A)	X	X	2
* For use with L.E.D lighting					

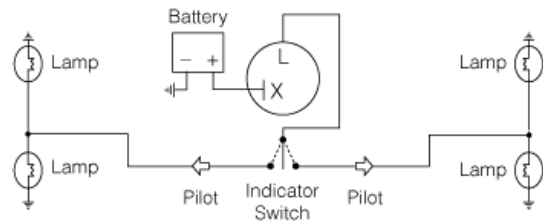


Fig. 1



Fig. 2

### 3 PIN FLASHERS

68203BL	12V	6 x 32CP (24W) Thermal	X	X	3
68213BL	12V	10 x 21W	X	X	3
68223BL	24V	10 x 21W	X	X	3
68233BL	12V	6 x 21W + 5W	✓	✓	4
68251BL*	12V	30W (2.5A)	X	X	4
68253BL*	24V	30W (2.5A)	X	X	4
68274BL	12V	180W (15A)	X	X	4
68276BL	24V	220W (9A)	X	X	4

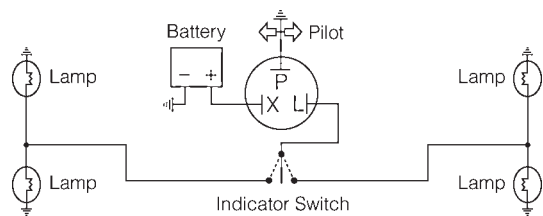


Fig. 3



Fig. 4

68236BL	12V	6 x 21W + 5W	✓	✓	5
68245BL*	12V	30W (2.5A)	✓	✓	5
68246BL*	12V	2 x 21W + 2 x 9W L.E.D Lamps	✓	✓	6

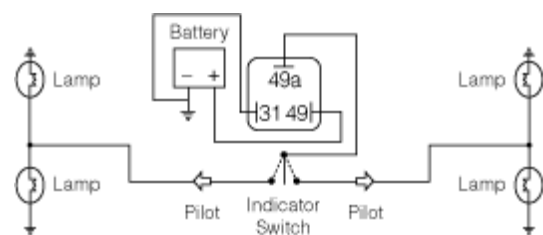


Fig. 5



Fig. 6

\* For use with L.E.D lighting



## FLASHER QUICK REFERENCE GUIDE

Part No.	Volts	Max Load	Load Sensitive	Globe Outage	Figure
<b>3 PIN FLASHERS (cont.)</b>					
68238BL	12V	6 x 21W + 5W	✓	✓	7

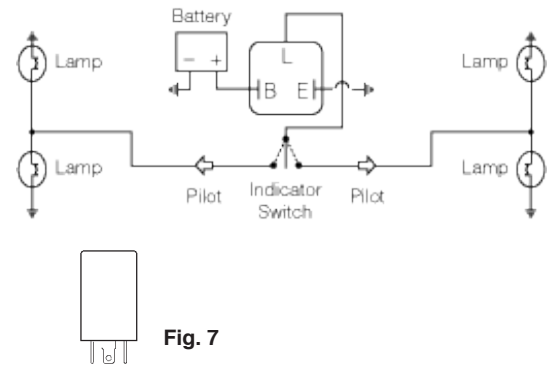


Fig. 7

68242BL†	12V	6 x 21W + 5W	✓	✓	8
68244BL††	12V	6 x 21W + 5W	✓	✓	9
† B & E terminals are 7mm apart					
†† B & E terminals are 4mm apart					

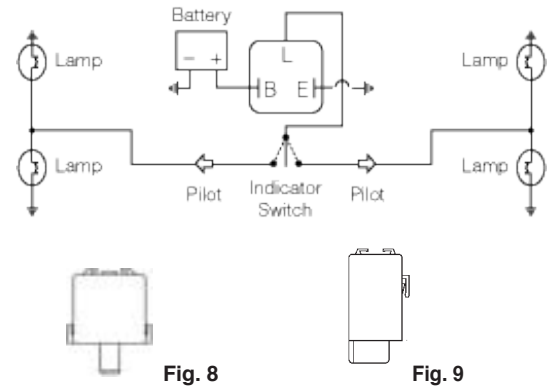


Fig. 8

Fig. 9

68247BL*	12V	2 x 21W + 2 x 5W + 2 x 9W LED lamps	✓	✓	10
* For use with L.E.D lighting					

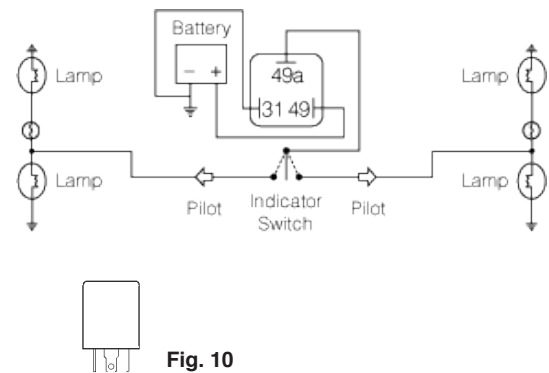


Fig. 10

68248BL*	12V	240W (20A)	✗	✗	11
68250BL*	24V	240W (10A)	✗	✗	11
* For use with L.E.D lighting					

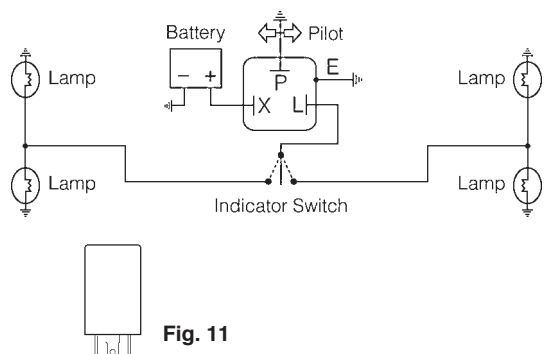


Fig. 11

Part No.	Volts	Max Load	Load Sensitive	Globe Outage	Figure
----------	-------	----------	----------------	--------------	--------

### 3 PIN ALTERNATING FLASHERS

68278BL	12V	10 x 21W	X	X	12

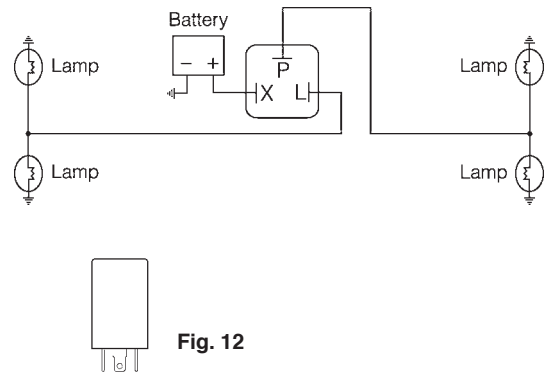


Fig. 12

### 4 PIN FLASHERS

68254BL	12V	6 x 21W + 5W	✓	✓	13

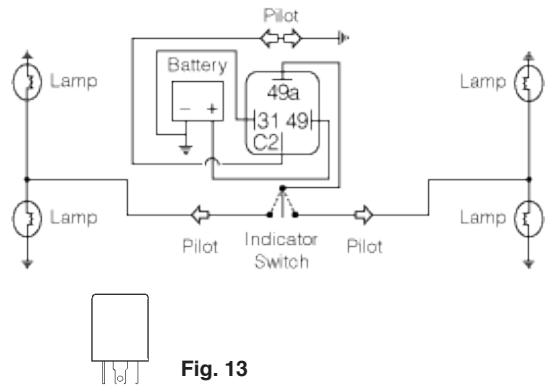


Fig. 13

### 5 PIN FLASHERS

68256BL	12V	6 x 21W + 5W	✓	✓	14

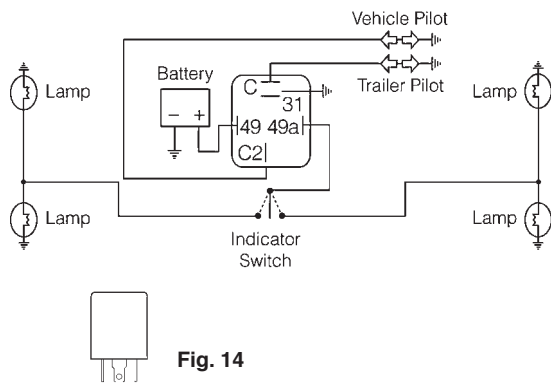


Fig. 14

68262BL	24V	6 x 21W + 5W	✓	✓	15

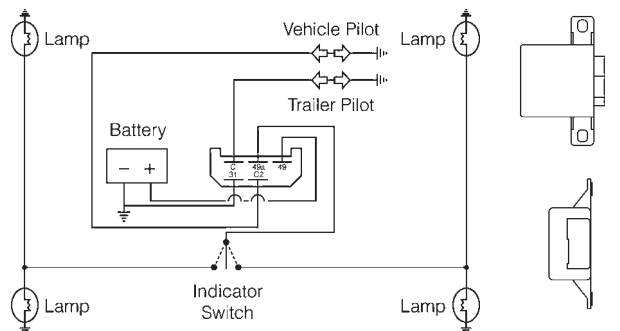


Fig. 15

## FLASHER QUICK REFERENCE GUIDE

Part No.	Volts	Max Load	Load Sensitive	Globe Outage	Figure
----------	-------	----------	----------------	--------------	--------

### 6 PIN FLASHERS

68260BL	12V	8 x 21W	✓	✓	16

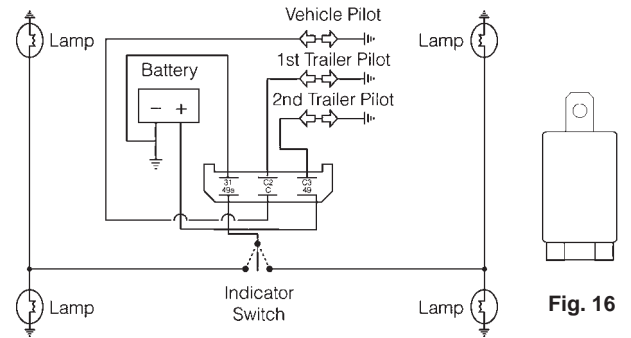


Fig. 16

68266BL	24V	6 x 21W + 5W	✓	✓	17
68268BL	24V	8 x 21W	✓	✓	17

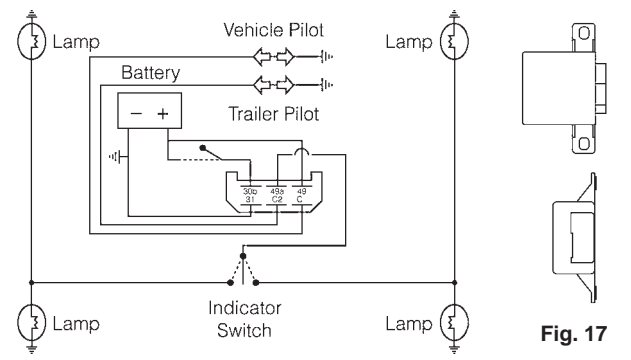


Fig. 17

### 7 PIN FLASHERS

68261BL	12V	6 x 21W + 5W	✓	✓	18

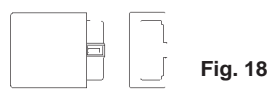
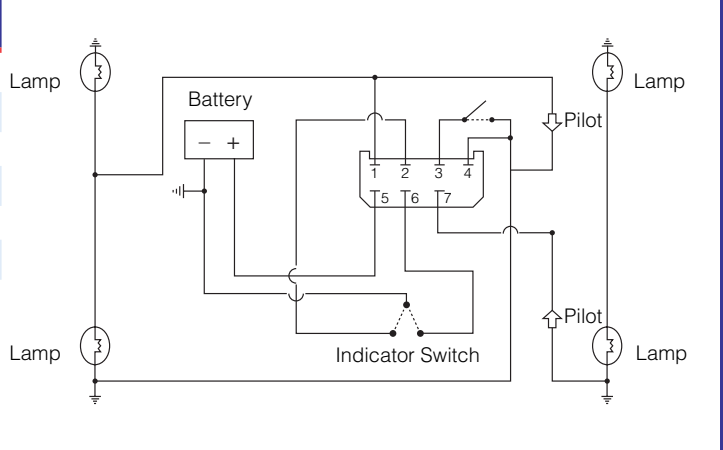


Fig. 18



68270BL	24V	8 x 21W	✓	✓	19

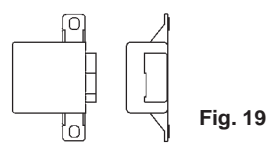
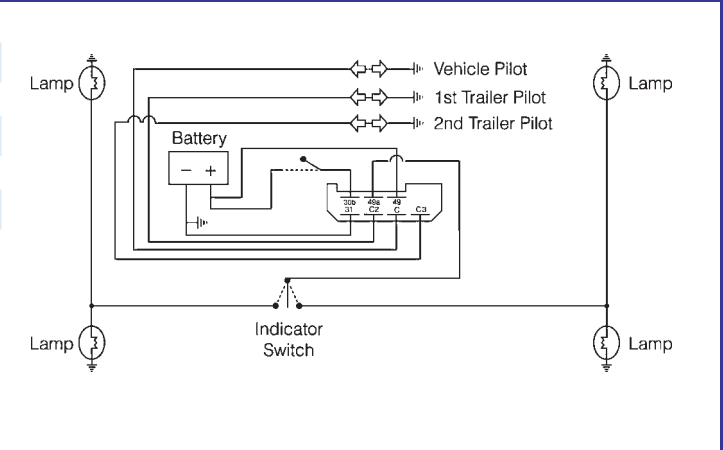


Fig. 19



## **VICTORIA HEAD OFFICE**

Brown & Watson  
International Pty. Ltd.  
3 Millennium Court,  
Knoxfield, Victoria 3180  
Phone: (03) 9730 6000  
National Toll Free: 1800 113 443  
Fax: (03) 9730 6050



## **NEW SOUTH WALES**

Brown & Watson  
International Pty. Ltd.  
PO Box 995  
Campbelltown, NSW 2560  
Toll Free: 1800 113 443  
Fax: (02) 4628 3403

## **SOUTH AUSTRALIA**

Brown & Watson  
International Pty. Ltd.  
5 Phillips Street,  
Thebarton, SA 5031  
Phone: (08) 8443 3018  
Fax: (08) 8443 3008

## **WESTERN AUSTRALIA**

Brown & Watson  
International Pty. Ltd.  
85 Sheffield Road,  
Welshpool, WA 6106  
Phone: (08) 9451 4526  
Fax: (08) 9358 1445

## **QUEENSLAND**

Brown & Watson  
International Pty. Ltd.  
2A/3375 Pacific Highway,  
Underwood, Qld 4119  
Phone: (07) 3808 2482  
Fax: (07) 3208 3137

## **NEW ZEALAND**

Narva New Zealand Ltd.  
22-24 Olive Road,  
P.O. Box 12556 Penrose,  
Auckland, N.Z.  
Phone: (09) 525 4575  
Fax: (09) 579 1192