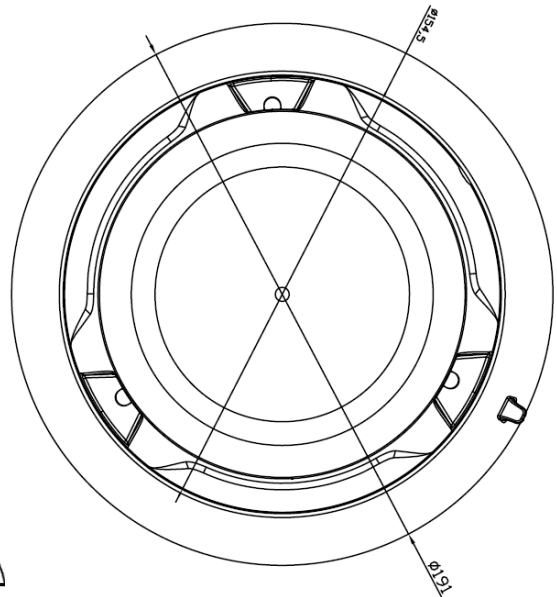
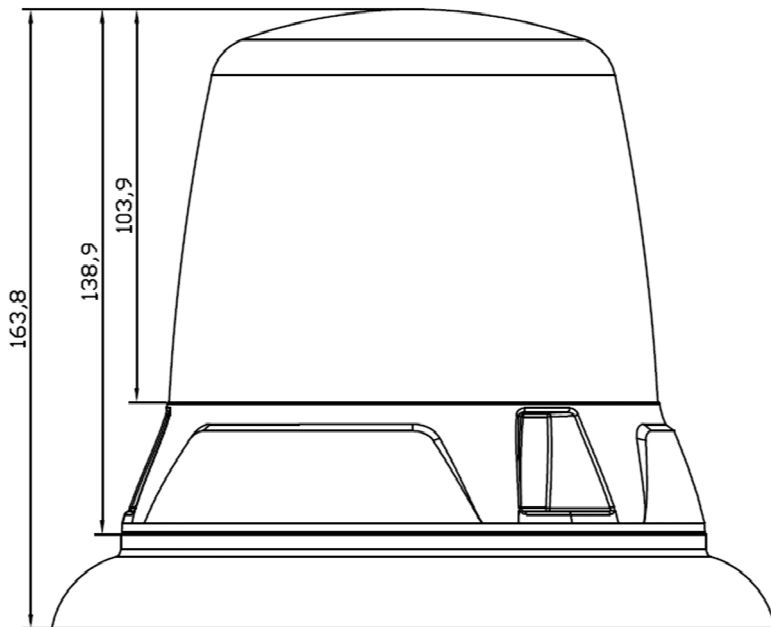


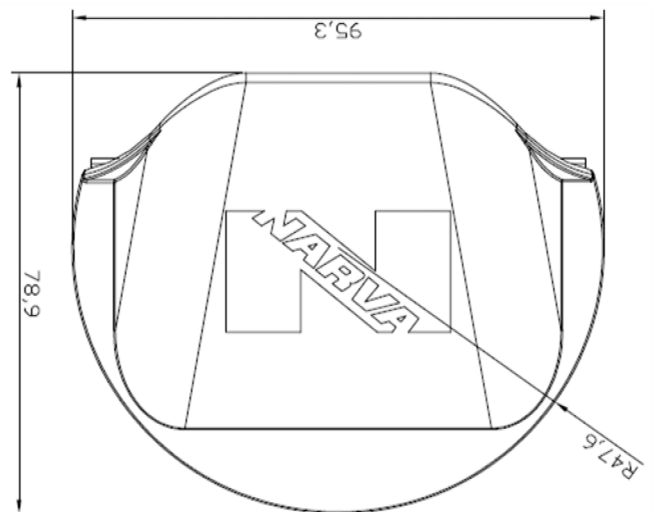
## Specification Sheet



Bolt holes the same as any  $\varnothing 130$ mm beacon/strobe

### Technical Specifications:

Height	139mm
Lens Colour	Amber
Output Colour	Amber
Lens Material	Makrolon 2607 Polycarbonate
Housing Material	Diecast Aluminium
Weight	330g
Input voltage	10-33V
LED's	6 x 5W
Current Draw (rotate, flash)	1A @ 12V
SAE	J845 Class1, W3-1
ECE R65	N/A, separate model
ECE R10	10R-06.22895
CISPR25	Class 3
ROHS	✓ - LCS210803145AR
REACH	✓ - LCS210803146AR
IP Rating	IP67
Operating Temperature	-30° — +60°
Vibration tests	IEC 60068-2-64
Mechanical Shock Test	ISO 16750-3:2007 4.2.2
Magnet Speed Rating	120 km/h



Internal reflector

### Wiring Diagram:

3 metres of coiled cable with DC plug

Distributed by Brown and Watson International

1500 Ferntree Gully Road, Knoxfield, 3180

P.) 1800 422 422