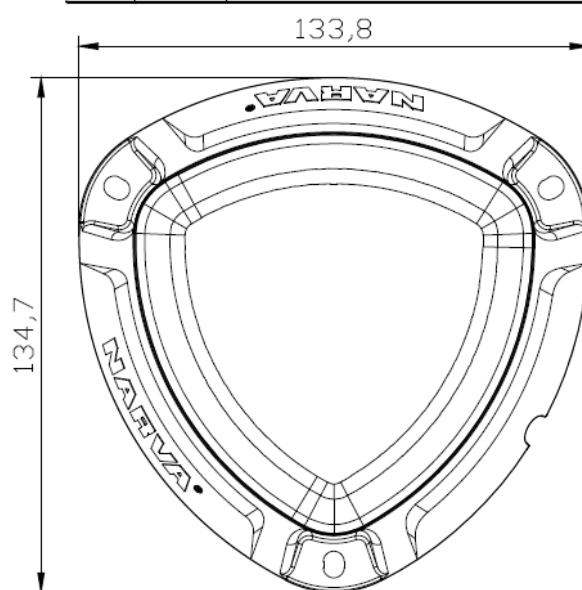
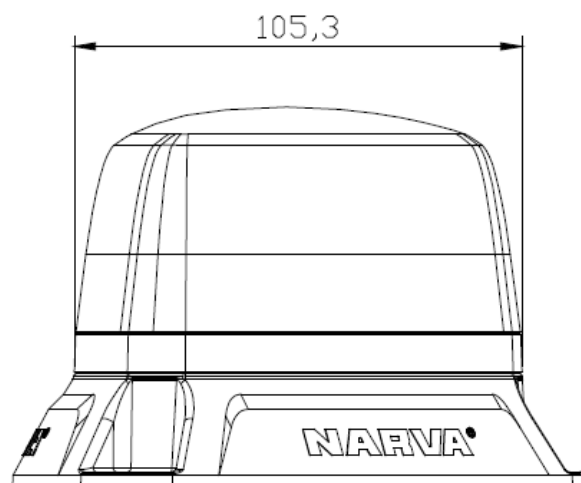
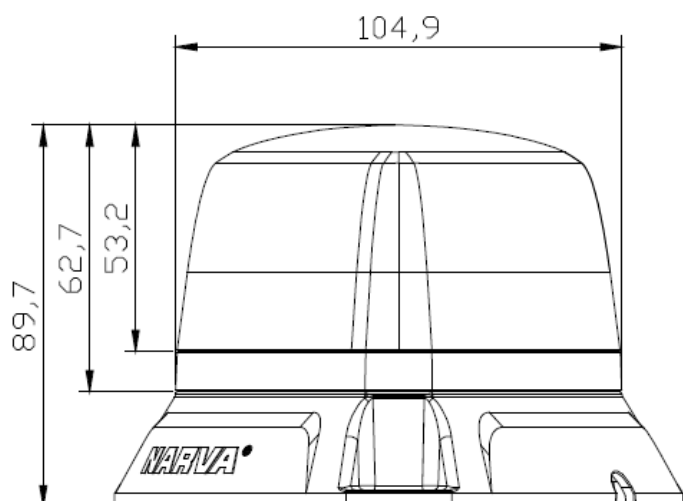




85606A—Aerotech LED Strobe



Technical Specifications:

Height	90mm
Lens Colour	Amber
Output Colour	Amber
Lens Material	Makrolon 2607 Polycarbonate
Housing Material	Polycarbonate
Weight	415g
Input voltage	10-33V
LED's	18 x 5W
Current Draw (rotate, flash)	1A, 1.6A @ 12V
SAE	J845 Class 1, W3-1
ECE R65	TA2 E9 00.6618—Rotate TA1 E9 00.6618—Flash
ECE R10	10R-06.22672
CISPR25	Class 3
ROHS	✓ - LCS210316139AR
REACH	✓ - LCS210316138AR
IP Rating	IP67
Operating Temperature	-30°C — +60°C
Vibration tests	IEC 60068-2-64
Mechanical Shock Test	ISO 16750-3:2007 4.2.2
Night Mode Percentage	60%
Adapter Plate	Supplied

Bolt holes the same as any \varnothing 130mm beacon/strobe

Wiring Instructions:

- Red—Positive DC
- Black—Ground/negative
- Grey—Manual high/low mode
- Yellow—Pattern change
- White—Synchronise

Flash Patterns

The unit comes with 4 user-selectable flash patterns plus steady on

<p>ROTATOR (Default) (SAE) (R65 TA2)</p>	<p>DOUBLE FLASH (SAE) (R65 TA1)</p>
<p>CLOCKWISE ROTATOR (SAE)</p>	<p>QUINT FLASH</p>
<p>STEADY ON</p>	

Distributed by Brown and Watson International

1500 Ferntree Gully Road, Knoxfield, 3180

P.) 1800 422 422